



*Representative photograph, actual product appearance may vary.*

*Due to regional agency approval requirements, some products may not be available in your area.*

*Please contact your regional Honeywell office regarding your product of choice.*

## 2AV54

### 2AV Series Hall-Effect Vane Sensor

#### Features

- Protection against random voltage spikes
- electrical transients up to +80 volts
- reverse power supply to -80 volts
- Stainless steel mounting studs lock sensor in place
- Vane depth of 17.2 mm [0.68 in] allows flexibility in actuator placement
- Wide Operating temperature range
- Current sinking output
- High output current capability

#### Description

2AV Series Hall effect vane position sensors are specifically designed to translate the relative position of a ferrous metal actuator into a digital electronic signal. The Hall effect integrated circuit and the magnet are in a rugged plastic housing. When a ferrous metal actuator passes between them, the magnetic flux is shunted away from the sensor. This causes the output signal to change state.



## 2AV54

### 2AV Series Hall-Effect Vane Sensor

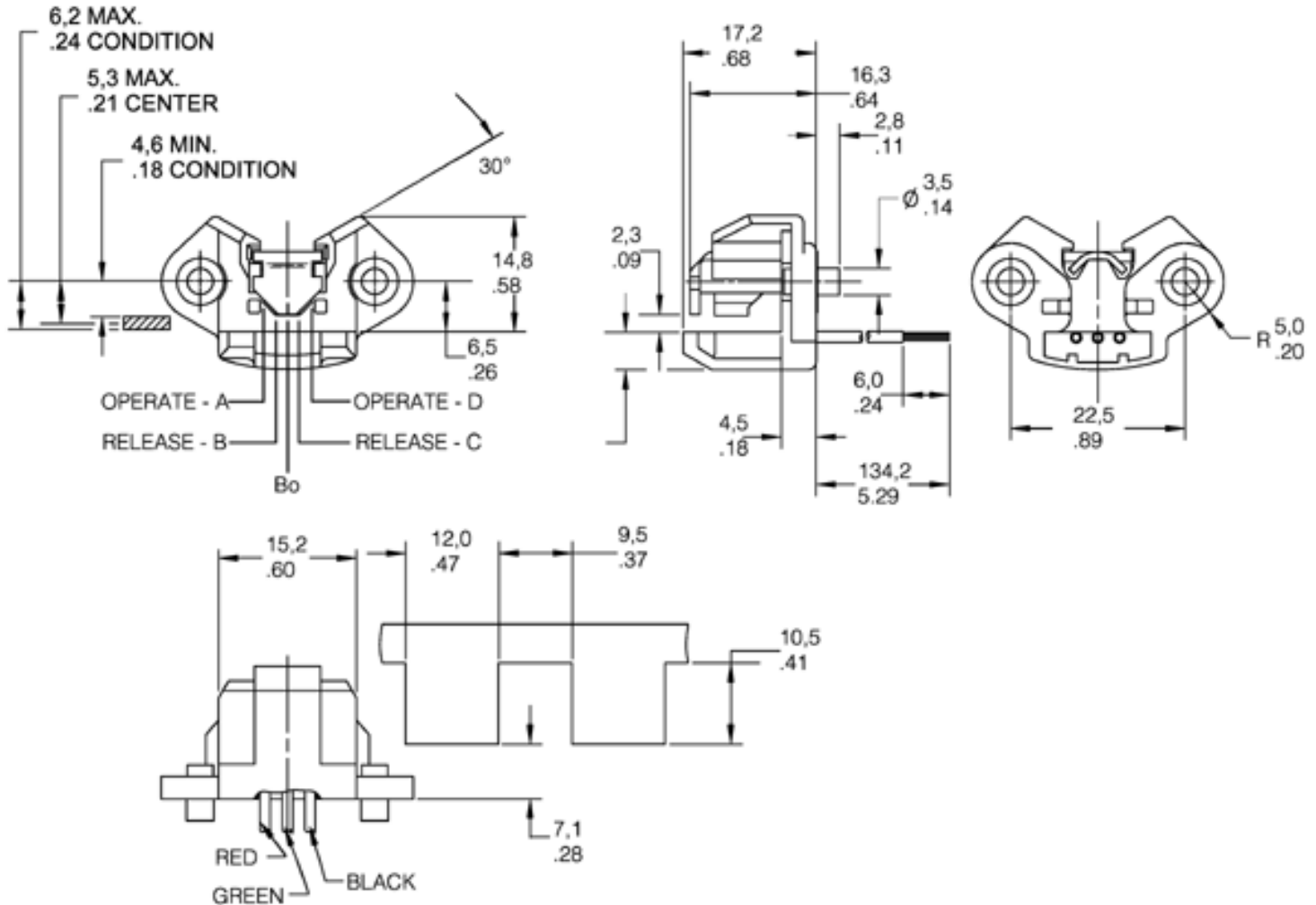
Product Specifications	
<b>Product Type</b>	Hall-Effect Vane Position Sensor
<b>Package Style</b>	Rivet Mount
<b>Supply Voltage</b>	4.5 Vdc to 24.0 Vdc
<b>Output Type</b>	Sink
<b>Operating Temperature Range</b>	-40 °C to 150 °C [-40 °F to 302 °F]
<b>Vibration</b>	45 g per Mil-Std-202, Method 204, Condition E
<b>Humidity</b>	Up to 500 h @ 85 °C, 80 %RH
<b>Salt Spray</b>	48 h per IEC-68-2-11
<b>Temperature Shock</b>	250 air-to-air shock @ -40 °C

<b>Availability</b>	Global
<b>Supply Current (max. @ 25 °C)</b>	22 mA
<b>Output Current (max.)</b>	40 mA
<b>Left Operate</b>	1,19 mm [0.047 in]
<b>Right Operate</b>	1,19 mm [0.047 in]
<b>Left Release</b>	-1,04 mm [-0.041 in]
<b>Right Release</b>	-1,04 mm [-0.041 in]
<b>Left to Right Differential</b>	2,21 mm [0.087 in]
<b>Right to Left Differential</b>	2,21 mm [0.087 in]
<b>Series Name</b>	2AV Series



## 2AV54

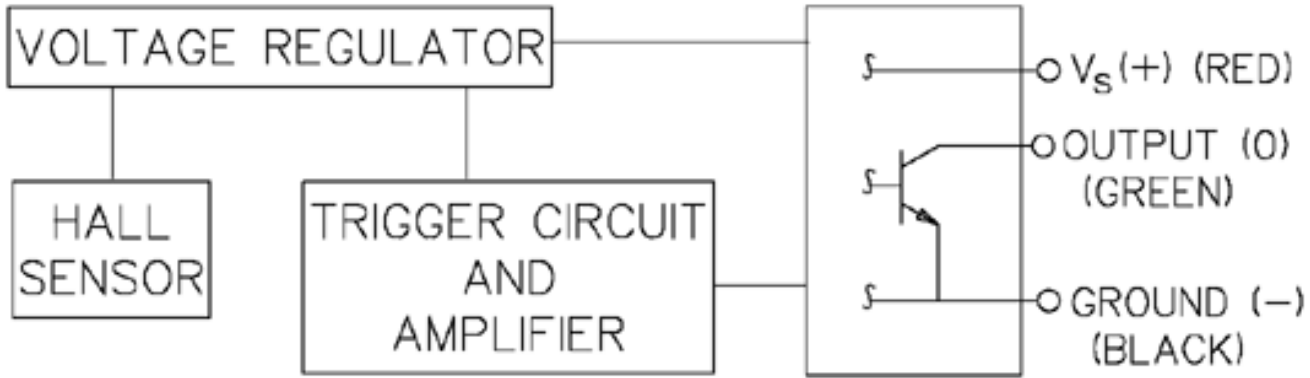
### 2AV Series Hall-Effect Vane Sensor





## 2AV54

### 2AV Series Hall-Effect Vane Sensor



BLOCK DIAGRAM SHOWING CURRENT SINKING OUTPUT



## 2AV54

### 2AV Series Hall-Effect Vane Sensor

#### **⚠ WARNING**

#### **PERSONAL INJURY**

DO NOT USE these products as safety or emergency stop devices, or in any other application where failure of the product could result in personal injury.

**Failure to comply with these instructions could result in death or serious injury.**