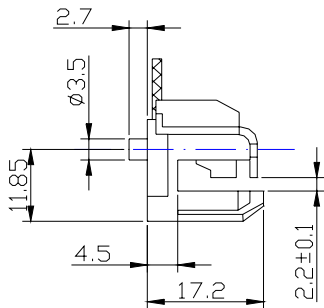
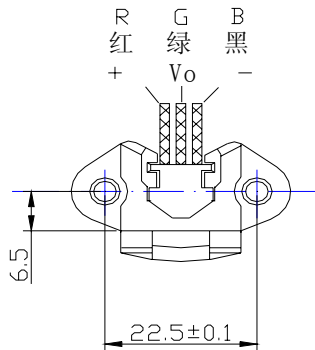


霍尔效应式叶片传感器 Hall-Effect Vane Sensor

安装尺寸 MOUNTING DIMENSIONS (for reference only)



极限参数 ABSOLUTE MAXIMUM RATINGS

电源电压 Supply Voltage	30V
反向电源电压 Reverse Battery Voltage	-40V
输出关断电压 Output OFF Voltage	40V
反向输出电压 Reverse Output Voltage	-0.5V
输出电流 Output Current (at T _A =25°C)	40mA for 5 minutes max
工作温度 Operating Temperature Range	-40°C~+150°C

电气特性 ELECTRICAL CHARACTERISTICS at V_{cc}=12V

电源电压 Supply Voltage	4.5V~24V
电源电流 Supply Current	≤9mA
输出低电平（沉电流 20mA） Output Saturation Voltage(Sinking 20mA)	≤0.4V
输出漏电流 Output Leakage Current	≤10uA
输出上升时间 Output Rise Time	≤2uS
输出下降时间 Output Fall Time	≤2uS