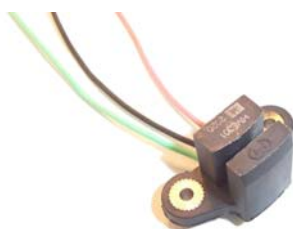


## 霍尔效应式叶片传感器 Hall-Effect Vane Sensor



HME402



HME301



HME2000



HME401



HME56



HME2000B

### 极限参数 ABSOLUTE MAXIMUM RATINGS

电源电压 Supply Voltage	30V
反向电源电压 Reverse Battery Voltage	-40V
输出关断电压 Output OFF Voltage	40V
反向输出电压 Reverse Output Voltage	-0.5V
输出电流 Output Current (at T <sub>A</sub> =25°C)	40mA for 5 minutes max
工作温度 Operating Temperature Range	-40°C~+150°C

### 电气特性 ELECTRICAL CHARACTERISTICS at V<sub>cc</sub>=12V

电源电压 Supply Voltage	4.5V~24V
电源电流 Supply Current	≤9mA (HME402≤16mA)
输出低电平(沉电流 20mA) Output Saturation Voltage(Sinking 20mA)	≤0.4V
输出漏电流 Output Leakage Current	≤10uA
输出上升时间 Output Rise Time	≤2uS
输出下降时间 Output Fall Time	≤2uS

### 互换参考 CROSS REFERENCE

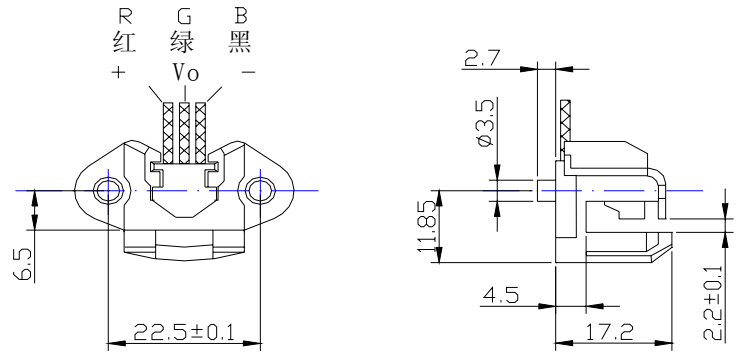
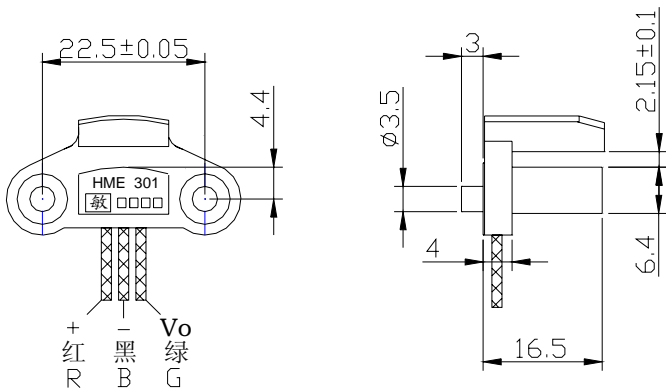
Part Number	Replacement
HME301	HKZ101, HKZ101S, HKZ121
HME56	2AV16A, 2AV51A, 2AV56, 2AV63
HME2000	2AV31E-J

# 霍尔效应式叶片传感器 Hall-Effect Vane Sensor

安装尺寸 MOUNTING DIMENSIONS (for reference only)

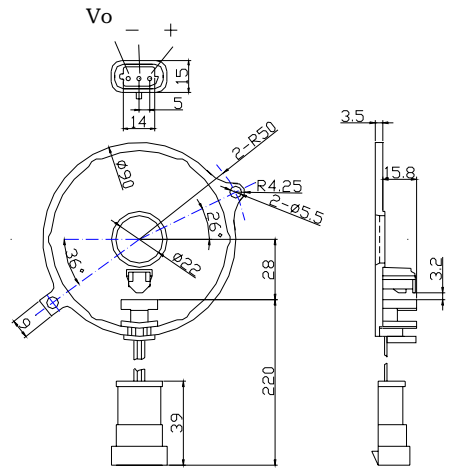
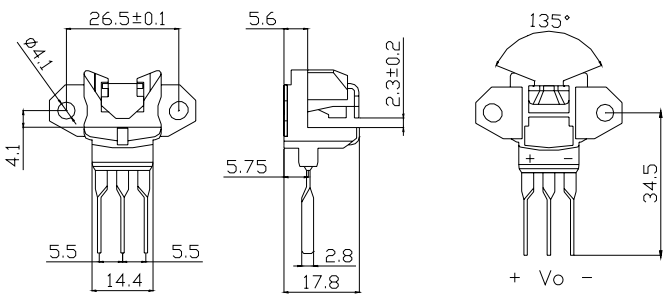
**HME301**

**HME56**



**HME2000**

**HME401**



**HME402**

